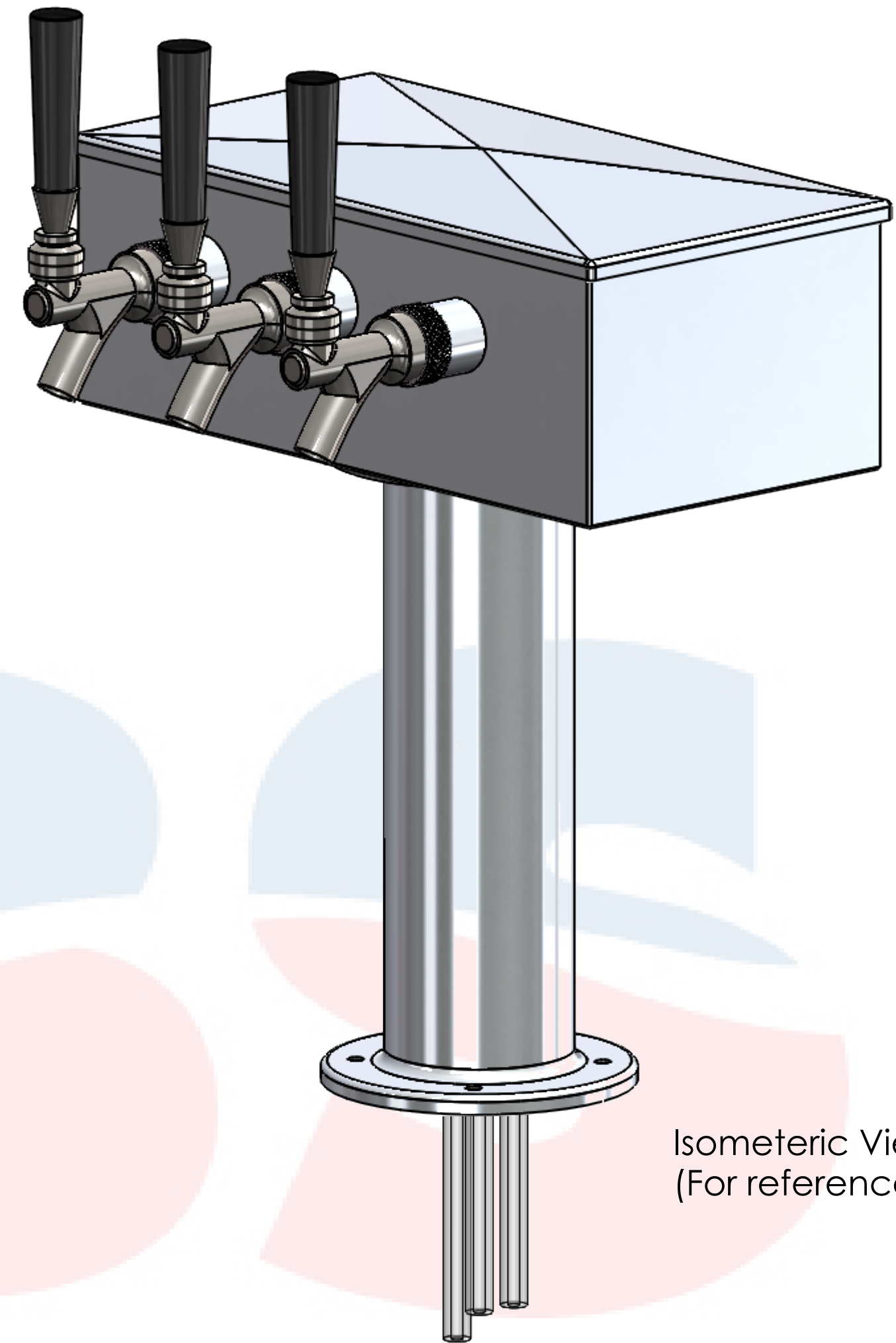
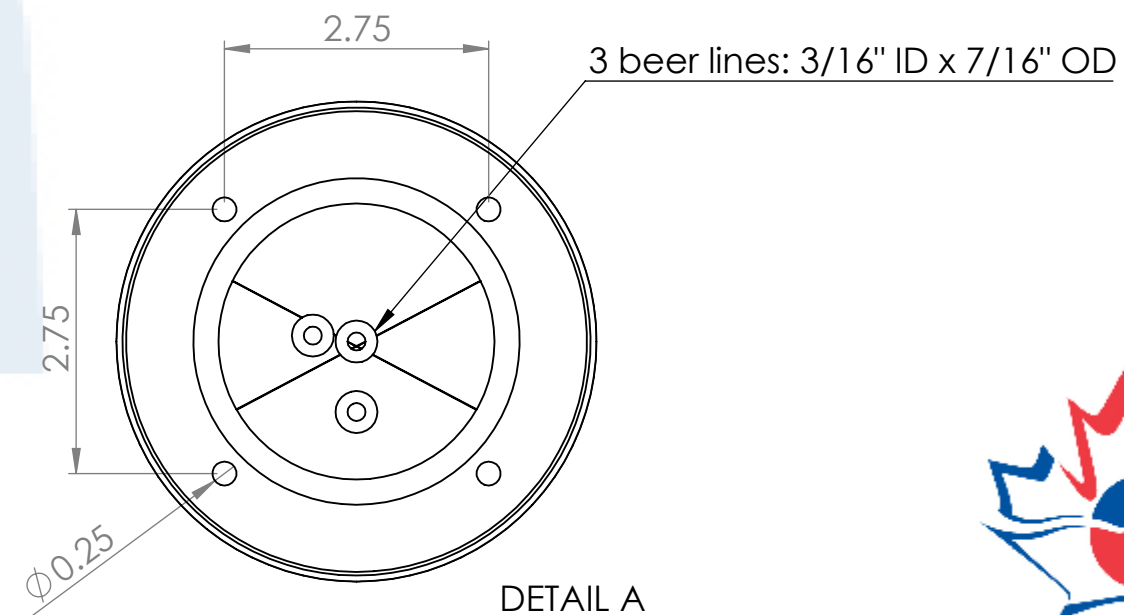
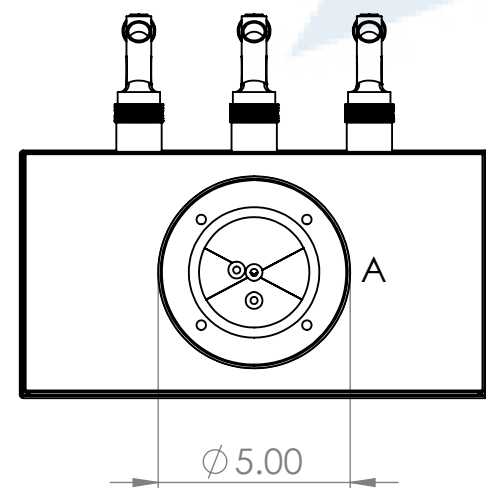


304SS tube connected to CBS NSF Flexible Total Barrier Tubing to 15lbs of Restriction



Isometric View
(For reference purpose only)



DETAIL A
SCALE 1 : 2

Suggested Drip Tray:
BB701312 - 12" x 7" BSS Drip Tray
BB702412 - 12" x 7" BSS Spray Drip Tray

Name		Date		Title:	
Drawn by:	Canadian Beverage Supply Inc.	07/13/2020		3 TAP 3" T - TOWER	
Approved by:	VP Sales				
Material:	304 SS	Finish:	Brushed SS	Part Number:	Revision:
Unless otherwise mentioned, dimensions are inches				BB102010-03	
SCALE: 1:5				SHEET 1 OF 1	

